



# Network Detection and Response for IT and OT Networks

---

While the convergence of IT and OT has been around for several years, there still exists a disparity between the technology, tools, and resources that are deployed in each type of network. IT teams often turn to traditional security vendors for NGFW, XDR, DDoS, and NDR tools, which don't always work effectively in OT environments due to the different needs of SCADA and ICS systems.

GREYCORTEX has made it their mission to provide customers who have both **IT AND OT** networks technologically advanced and reliable security tools and facilitate collaboration between IT and OT teams to bolster defense mechanisms in the face of cyber threats.

On top of detection and response capabilities, GREYCORTEX brings powerful **real-time network analytics** that will show what is going on in networks ranging from small networks of just 100 devices to several hundreds of thousands of devices in geographically dispersed locations.

## How it Works

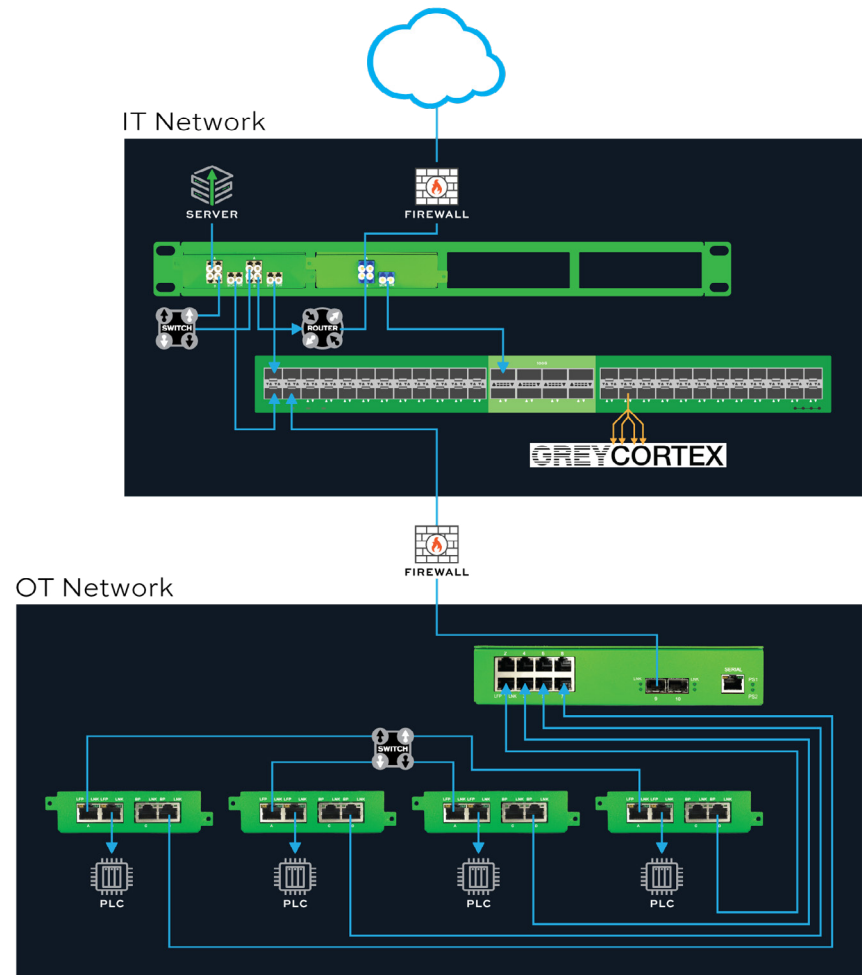
The GREYCORTEX Mendel appliance sees and visualizes traffic in the context of time and events. But in order to see all the devices in a network, how they are communicating together, in the context of time and events, including L2 and L3 OT protocols and its application data, Mendel first needs complete visibility into the packets. That's where Garland Technology comes in. Network TAPs are a tested and proven industry best practice to ensure complete network visibility for security and monitoring tools.

## Security Monitoring of IT + OT Infrastructure with a Single Pane of Glass

1. Within both IT and OT environments, data from the network segments are fed through Garland Technology Network TAPs mirroring the network traffic to provide 100% visibility across the environments.
2. In OT scenarios Garland commonly uses their specialized Industrial Network TAPs that are purpose-built for industrial, manufacturing, utility, and military environments.
3. Data from multiple Network TAPs are delivered to Garland's PacketMAX™ Advanced Features to aggregate, filter, and load balance the mirrored traffic.
4. The aggregated traffic in each location is then delivered to GREYCORTEX Mendel's sensor appliances with a central collector appliance that works both as a Network Detection and Response solution for the IT infrastructure and as an advanced industrial Intrusion Detection System (IDS) based on deep packet inspection of ICS and SCADA traffic.

## Key Benefits

- Easy, simple to manage, and cost effective solution allowing the monitoring of IT, OT and IoT environments
- Gain 100% network visibility without added latency into active IT and OT asset inventory
- TAPs do not have an IP address, or MAC address and cannot be hacked
- Improve collaboration and break down silos across teams with deep visibility across all network and application layers and infrastructures
- Quick to implement within strict maintenance windows: Get the Garland and GREYCORTEX solution up and running in minutes



## About GREYCORTEX

GREYCORTEX is one of the main providers of NDR (Network Detection and Response) security solutions for IT as well as OT (industrial) networks. We help organizations to make their networks secure and reliable. We dedicate our time and expertise to protecting your data, employees, and, most importantly, your business. For more information about how GREYCORTEX can protect your organization, visit [greycortex.com](https://greycortex.com).

## About Garland Technology

Garland Technology is an industry leader of IT and OT network solutions for enterprise, critical infrastructures, and government agencies worldwide. Since 2011, Garland Technology has been engineering and manufacturing simple, reliable, and affordable Network TAPs and Network Packet Brokers in Richardson, TX. For help identifying the right IT/OT network visibility solutions for projects large and small, or to learn more about the inventor of the first bypass technology, visit [GarlandTechnology.com](https://GarlandTechnology.com).



### Have Questions?

[sales@garlandtechnology.com](mailto:sales@garlandtechnology.com) | +1 716.242.8500

[GarlandTechnology.com/greycortex](https://GarlandTechnology.com/greycortex)



See every bit, byte, and packet®