

DATA SHEET

# PacketMAX™ Advanced Aggregator

1U Half-Rack network traffic aggregator.



The PacketMAX™ Advanced Aggregator provides full capabilities in half the size of a traditional Aggregator. Leverage aggregation, filtering, load balancing, and replication inside networks that may not require full-size, data center-style hardware. Ten (10) versatile SFP+ ports work with both 1G and 10G network speeds. The 1U Half-Rack chassis has a compact footprint and is ideal when space for network equipment is constrained. Straightforward set-up and configuration, this Aggregator is ready to consolidate monitored links and deliver preferred Layers 2, 3, and 4 traffic to network monitoring and security tools. Best of all, there are no license or port fees - ever.

**POWERFUL**

- Aggregate multiple links
- Filter desired or specific traffic
- Load Balance to network tools

**VERSATILE**

- Ten (20) SFP+ Ports
- Ports are 1G/10G
- Compatible with MSA compliant SFP+ transceivers

**COST-EFFECTIVE**

- Zero Fees on ports or feature licenses
- Help free up ports on existing NPB
- Low Total Cost of Ownership

**CERTIFICATIONS**

- TAA compliant
- RoHS3
- SVHC
- Country of Origin: USA

**Ordering Information**

Product Name	Part #	Product Description
PacketMAX™ Advanced Aggregator	GAA10G10AC	Garland Technology PacketMAX: Advanced Aggregator, (10) SFP+ 1/10G Ports, Managed, AC power supply



**Have Questions?**

sales@garlandtechnology.com | 716.242.8500 | GarlandTechnology.com

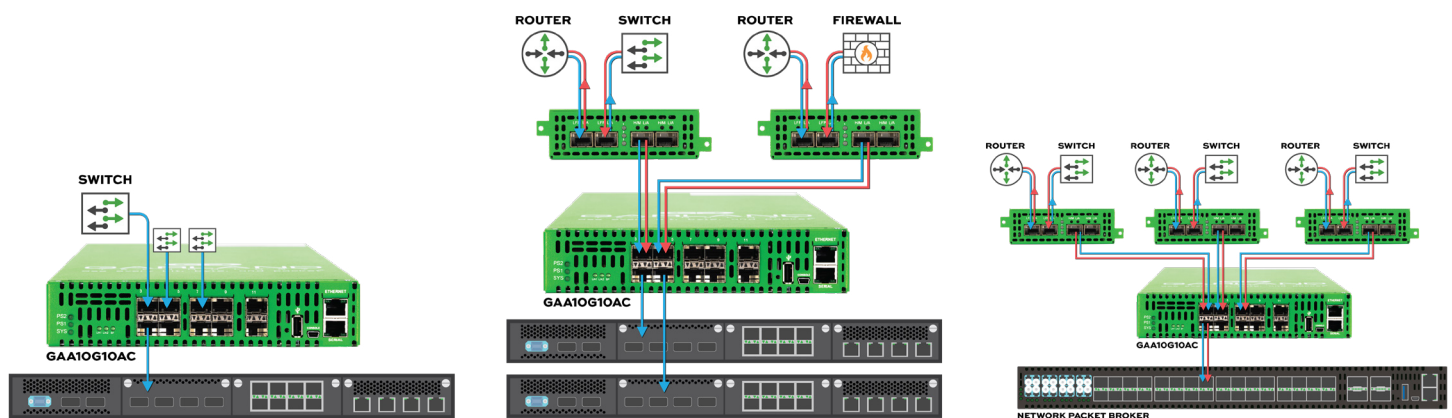
# Deployment Benefits

## Advanced Aggregator

- Aggregate network traffic from one or multiple network links to a single tool or multiple tools (1:1, 1:N, N:1, N:N).
- Combine Aggregator with network TAPs to reduce network complexity.
- Reduce the quantity of monitor links to a number that is more manageable for the out of band network tool or tools.
- Take data from multiple ports and combine the data to a single port before sending to a connected tool.
- Load balance to evenly distribute copies of network traffic sent to connected tools.
- Filter layers 2, 3, and 4 traffic.
- Deliver desired traffic to tools and filter out traffic that is not needed.
- Access the data needed, when it is needed.
- Free up ports on an existing Network Packet Broker to save money on port renewal fees.
- Use copper or optical SFP+ modules in the ten (10) SFP+ Ports.
- Manage 1G and 10G network speeds in a single chassis.
- Upgrade network speeds from 1G to 10G.
- Add new out of band monitoring or security tools in the future.

## Management

- Includes a management GUI that is effective and simple to use.
- Drop and drag interface to configure functions and set-up filters.
- Restful API for integrations.



**TAP Multiple Links & Aggregate to 1 Tool**

**TAP Multiple Links & Aggregate, Load Balance to 2 Tools**

**TAP Multiple Links & Aggregate to Packet Broker**

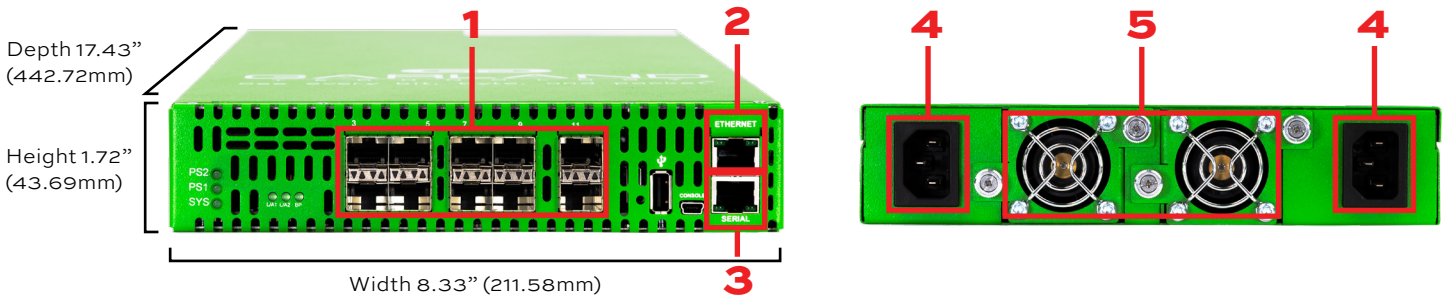


## Have Questions?

sales@garlandtechnology.com | 716.242.8500 | GarlandTechnology.com

## HARDWARE KEY

1. 10x SFP+ 1G/10G Ports 2. Ethernet Port 3. Serial Port 4. Dual Power Supplies 5. Fans



## SPECIFICATIONS

- Operating Temperature: 0°C to +40°C / +32°F to +104°F
- Operating Humidity: 5% to 95%
- AC Power of 120W
- Dimensions (HxWxD): 1.72" x 8.33" x 17.43" (43.69mm x 211.58mm x 442.72mm)
- Weight: 6.9 lbs (3.12979kg)

## PACKAGE CONTENTS

- One (1) GAA10G10AC
- Two (2) Power Cords
- One (1) Set of Mounting Ears
- One (1) Set of Screws for Mounting Ears
- One (1) Extended Bracket
- One (1) Set of Brackets to attach a 2nd unit next to GAA10G10AC
- One (1) Set of Screws for Mounting Ears and Brackets
- One (1) Set of Rack Screws
- One (1) Serial Cable
- The Blade(s) ordered based on geography

## Warranty

Garland Technology's standard, manufacturer's warranty covers the first twelve months of product ownership. Extended Return to Factory (RTF) and Premium Technical Support (PTS) warranty plans are available for purchase for supplemental and/or additional coverage options in annual increments.

## Design-IT Demo

Have a complimentary technical discussion about your network, goals, challenges, and upcoming projects with a Garland Technology Engineer. After the meeting, you will receive a professionally-designed solution diagram you can use to consider options with your colleagues.

## Have Questions?

sales@garlandtechnology.com | 716.242.8500 | GarlandTechnology.com

## Accessories

Part #	Product Description
SFP+-10GBiDi-1270-1330	10GBASE-BX SFP+ 1270nm-TX/1330nm-RX 10km DOM Transceiver Module
SFP+-10GBiDi-1330-1270	10GBASE-BX SFP+ 1330nm-TX/ 1270nm-RX 10km DOM Transceiver Module
SFP+LR	SFP+ Dual Speed 1Gigabit-LX / 10Gigabit-LR Single Mode Fiber LC Connector
SFP+LR10G	SFP+ 10Gigabit-LR Single-Mode Fiber LC Connector
SFP+LRM10G	SFP+ 10Gigabit-LRM Multi-mode Fiber 1310nm Wavelength, up to 220m LC Connector
SFP+SR	SFP+ Dual Speed 1Gigabit-SX / 10Gigabit-SR Multi-Mode Fiber LC Connector
SFP+SR10G	SFP+ 10Gigabit-SR Multi-Mode Fiber LC Connector
SFP+T	SFP+ Triple Speed 100M/1G/10G Copper RJ45 Connector
SFP+ZR80	SFP+ 10Gigabit-ZR 80Km Single Mode Fiber LC Connector
SFP-1GBiDi-1310-1550	1000BASE-BX BiDi SFP 1310nm-TX/1550nm-RX 10km DOM Transceiver Module
SFP-1GBiDi-1550-1310	1000BASE-BX BiDi SFP 1550nm-TX/1310nm-RX 10km DOM Transceiver Module
SFPEX40km	SFP 1000Base-EX Single Mode Fiber 1310nm 40km LC Connector
SFPEX90km	SFP 1000Base-EX Single Mode Fiber 1550nm 90km LC Connector, -10/70°C operation
SFPFX	SFP 1310nm LED, 100BASE-FX, MM OC-1/OC-3, LC connector, 40/85°C operation, 2km
SFPLX	SFP 1000Base-LX Single Mode Fiber LC Connector
SFPLX-WB	Wide-band SFP 1000Base-LX Single Mode Fiber LC Connector
SFPSX	SFP 1000Base-SX Multi-Mode Fiber LC Connector
SFPTX	SFP 10/100/1000 Copper RJ-45 Connector
SFPTX1G	SFP 1 Gigabit-TX Copper RJ-45 Connector
SFPZX	SFP 1Gigabit-ZX Single Mode Fiber 1550nm Wavelength, 90KM, LC Connecto
TWINAX10M	Twinax Copper Direct Connect Cable SFP+ 10Gigabit 10 Meter
TWINAX1M	Twinax Copper Direct Connect Cable SFP+ 10Gigabit 1 Pre-Cut Meter
TWINAX3M	Twinax Copper Direct Connect Cable SFP+ 10Gigabit 3 Meter
TWINAX5M	Twinax Copper Direct Connect Cable SFP+ 10Gigabit 5 Meter



### Have Questions?

sales@garlandtechnology.com | 716.242.8500  
GarlandTechnology.com

Have a project and  
need Visio diagrams?

[Click] Design-IT Demo

